



IS4225 **ScanGlove®**

Metrologic's ScanGlove durable, lightweight, wearable automatic single-line 1D bar code scanner improves productivity as it increases scanning flexibility.

Metrologic's ScanGlove (IS4225) automatic wearable single-line scanner increases productivity by providing a flexible solution to a variety of 1D bar-code scanning applications.

Lightweight and durable, ScanGlove can be used as a back-of-hand scanner or a stationary desktop scanner.

Increase scanning mobility by mounting the scanner to the back of your hand and connecting it to a portable data terminal.

ScanGlove can also be used as a compact fixed-mount presentation scanner.

Make bar code scanning and data entry fast and easy by connecting ScanGlove to a desktop computer. Simply present the bar code to the scanner and it is automatically entered into the computer.

ScanGlove offers flexibility to users with a choice of interfaces, including RS232, keyboard wedge, stand alone keyboard, light pen emulation or USB.



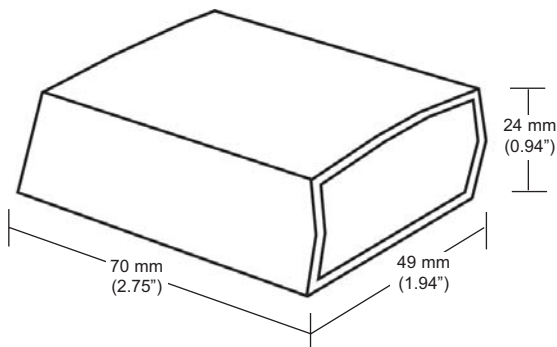
www.metrologic.com

FEATURES

- Mountable on back of hand
- Automatic Scanning
- Small footprint
- Breakaway cable
- Alternate fixed-mount

BENEFITS

- Frees operator's hands while scanning
- Facilitates speedy operation by eliminating the need for repeated button presses
- Lightweight and compact, fits comfortably and prevents operational fatigue
- Safety feature allows operators to quickly break away from tethered host system should a hazard occur while scanning
- Scanner mounts to virtually any devices without taking up much space



OPERATIONAL

Light Source	Visible Laser Diode 650 nm ± 10 nm
Laser Power	0.800 mW (peak)
Decode Capability	Autodiscriminates all standard bar codes; for other symbologies call Metrologic
System Interfaces	RS232, Light Pen Emulation, PC Keyboard Wedge, Stand Alone Keyboard, USB (low speed)
Number Characters Read	Up to 80 data characters
Beeper Operation	3 tones or no beep
Indicators (LED)	Red = laser on, ready to scan; Green = good read

MECHANICAL

Dimensions	Length: 70 mm (2.75") Width: 49 mm (1.94") Height: 24 mm (0.94")
Weight	105 g (3.7 oz)
Termination	Breakaway connector or 10 position modular RJ45
Cable	Straight, breakaway or 1.5 m (5') coiled

ELECTRICAL

Input Voltage	5 VDC ± 0.25 V
Power	0.75 W
Operating Current	135 mA
DC Transformers	Class 2; 5 VDC @ 300 mA
Laser Class	CDRH and IEC Class 2 in accordance with IEC 60825-1:1993 + A1:1997 + A2:2001
EMC	FCC Class A, CISPR Class A

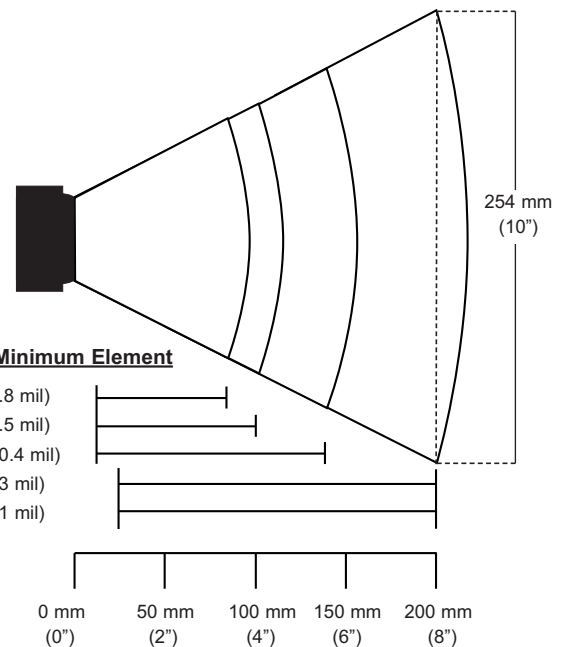
ENVIRONMENTAL

Operating Temperature	-20°C to 50°C (-4°F to 122°F)
Storage Temperature	-40°C to 70°C (-40°F to 158°F)
Humidity	5% to 95% relative humidity, non-condensing
Light Levels	Up to 4842 Lux (450 footcandles)
Shock	Designed to withstand 1.2 m (4') drops
Contaminants	Sealed to resist airborne particulate contaminants
Ventilation	None required

SCAN PERFORMANCE

Depth of Scan Field	12.7 mm - 203 mm (0.5" - 8") for 0.33 (13 mil) bar code
Width of Scan Field	28.6 mm (1.125") @ face; 102 mm (4") @ 76.2 mm (3")
Scan Speed	52 scan lines per second
Scan Pattern	Single scan line
Minimum Bar Width	0.173 mm (6.8 mil)
Print Contrast	35% minimum reflectance difference
Roll, Pitch, Yaw	42°, 68°, 52°

Scan Area



Bar Code Minimum Element

- 0.173 mm (6.8 mil)
- 0.191 mm (7.5 mil)
- 0.264 mm (10.4 mil)
- 0.330 mm (13 mil)
- 0.533 mm (21 mil)

Product Colors Available



IS4225 is available in a variety of other colors with minimum quantity purchase



Sunrise 2005 Compliant



Metrologic Instruments, Inc. | **Worldwide Headquarters**
 90 Coles Road | Blackwood, NJ 08012-4683 | www.metrologic.com
 Telephone 856-228-8100 | Fax 856-228-6673 | info@metrologic.com

Asian Headquarters
 Tel. 65.6842.7155
 info@sg.metrologic.com

European Headquarters
 Tel. 49.89.89019.0
 info@eu.metrologic.com

The Americas Headquarters
 Tel. 1.800.ID.METRO
 info@us.metrologic.com

ISO 9001:2000

Specifications subject to change without notice.
 Printed U.S.A., Copyright September 2006
 Metrologic, All rights reserved.



DS4200